

PRELIMINARY

SB 18 Ili SUBWOOFER FOR INSTALL



- Compact 18" subwoofer
- Designed for Kara Ili

- Sleek design
- Install-specific rigging and accessories



ELECTRO-ACOUSTICS

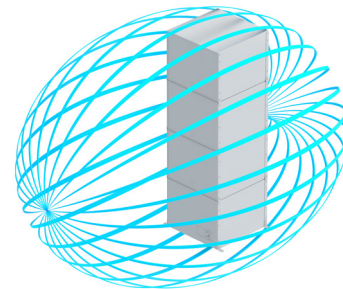


SB18 Ili is a compact subwoofer designed to extend the bandwidth of the Kara Ili system in installation applications. It features one high-excursion, direct-radiating 18" transducer mounted in a dual bass-reflex tuned enclosure.

SB18 Ili can be coupled mechanically and acoustically with Kara Ili to reinforce contour and extend bandwidth to 32 Hz. The subwoofer features L-Vents that substantially reduce turbulence and port noise at high levels while also increasing LF efficiency.

The SB18 Ili frequency response is optimized to couple perfectly with Kara Ili, in flown or stacked configurations, and to extend the bandwidth of X Series loudspeakers.

SB18 Ili can be deployed in standard or cardioid configurations with dedicated presets.



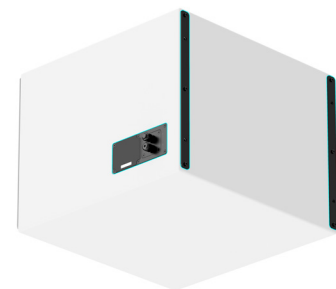
Rear SPL rejection (cardioid)

PHYSICAL

The SB18 Ili enclosure is constructed of premium grade Baltic beech and birch plywood to ensure maximum acoustical and mechanical integrity.

SB18 Ili is designed for a discreet integration. Products are connected using rigging plates and numerous accessories allow array deployment with Kara Ili. For improved aesthetics or video projection mapping, an acoustically-transparent screen is available for SB18 Ili.

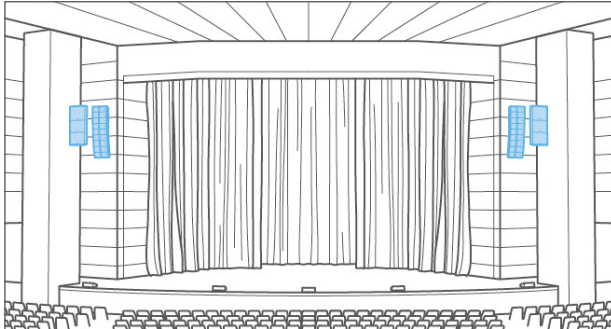
SB18 Ili features terminal connectors behind a connector sealing plate with gland nuts. The enclosure has been weatherized to achieve an IP55 rating for outdoor operations and can be custom-colored using RAL references to melt into the venue decor.



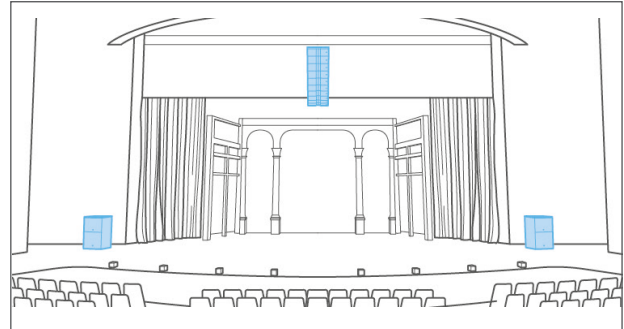
Discreet design with connecting plates and terminal connectors

APPLICATIONS

SB18 Ili is the ideal companion for small to large events that require full bandwidth extension in a compact enclosure. SB18 Ili is mechanically and acoustically compatible with Kara Ili and is also acoustically compatible with X Series loudspeakers.



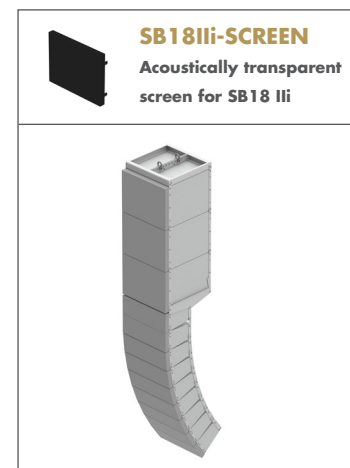
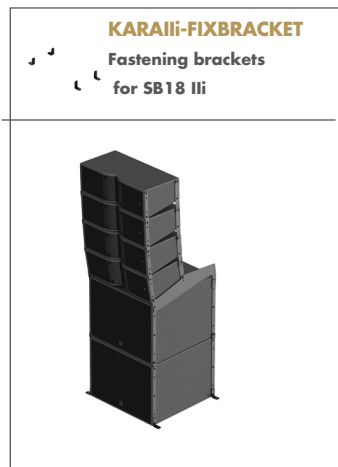
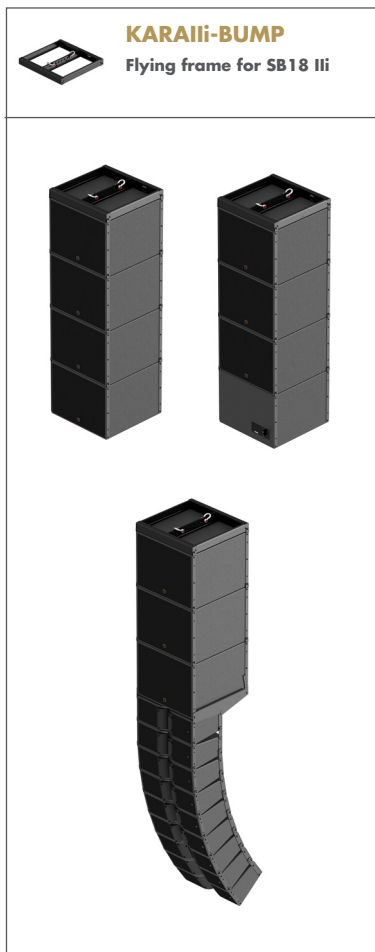
Concert hall main system



Auditorium main system




RIGGING

SB18 Ili can be flown or stacked on its own or in combination with Kara Ili. Dedicated rigging elements allow for vertical line source deployment in large or small numbers in standard or cardioid arrangements.



AMPLIFIED CONTROLLERS

LA2Xi and LA4X are the recommended amplified controllers with one SB18 Ili per output channel for optimal use of the Autosolver tools. LA12X can be used to power and control up to three SB18 Ili per output channel.

Amplified controllers	LA2Xi	LA4X	LA12X
Front panel			
Install / Touring	Install	Install / Touring	Install / Touring
In x Out	4 x 4 / 4 x 3 / 4 x 2 / 4 x 1	4 x 4	4 x 4
Output power (W RMS) @ 16 ohms @ 8 ohms @ 4 ohms @ 2.7 ohms	4 x 200 W 4 x 360 W 4 x 640 W	4 x 1000 W 4 x 1000 W	4 x 1400 W 4 x 2600 W 4 x 3300 W
Height	1U	2U	2U
Weight	4.40 kg / 9.70 lbs	11.3 kg / 24.9 lbs	14.5 kg / 32 lbs
Drive capability SB18 Ili			
Max. number of enclosures per channel	1	1	3
Max. number of enclosures per amplifier	4	4	12
Max SPL	133 dB	138 dB	138 dB

ASSOCIATED ENCLOSURES

Kara Ili

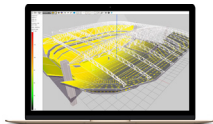


X Series



SOFTWARE

SOUNDVISION: simulation software



3D electro-acoustic & mechanical simulation software

LA Network Manager: control & monitoring software



Real-time control and monitoring up to 253 units
Multiple network topologies



SB15m



SB18 (Ili)



KS21 (i)

Subwoofers: a complete range for professional sound reinforcement

L-Acoustics subwoofers complement systems in applications where extended bandwidth is required.



K1-SB



SB28



KS28

All subs incorporate high excursion drivers, ultra-low vibration walls and laminar airflow L-Vents with a flared profile, resulting in dramatic reduction of port noise, maximized dynamics, power handling and an exceptional level of performance.

PRELIMINARY

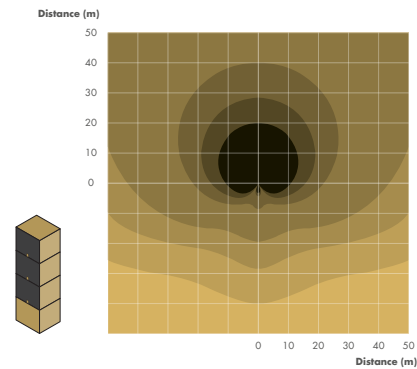
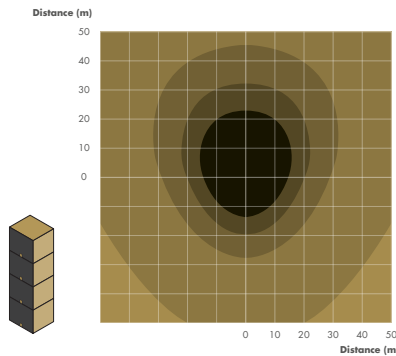
SB 18 Ili SUBWOOFER



Description	High power compact subwoofer: 1 × 18" amplified by LA2Xi ² / LA4X / LA8 / LA12X
Usable bandwidth (-10 dB)	32 Hz - 110 Hz ([SB18_100])
Maximum SPL^{1,2}	138 dB ([SB18_100])
Nominal directivity	Standard or cardioid configurations
Transducers	1 × 18" cone driver
Acoustical load	Dual bass-reflex, L-Vents
Nominal impedance	8 Ω
Connectors	4-point terminal block with push-in connection Connector sealing plate with cable gland
Rigging and handling	External rigging kits M6 inserts for rigging plates and accessories
Weight (net)	48 kg / 106 lb
Cabinet	Premium grade Baltic birch plywood
Front	Coated steel grill Acoustically neutral 3D fabric
Rigging components	High grade steel with anti-corrosion coating
Finish	Dark grey brown Pantone 426 C Pure white RAL 9010 Custom RAL code on special order
IP	IP55

¹ Peak level at 1 m under half space conditions using pink noise with crest factor 4 (preset specified in brackets).
² For Max SPL values using LA2Xi, refer to LA2Xi system specification sheet.

ISOCONTOUR



► SPL mapping of a block of four SB18 Ili in standard (left) and cardioid (right) arrangements, using surfaces of equal sound pressure with three dB step colored scale.

DIMENSIONS

